

**P-Serie**  
Process Pump



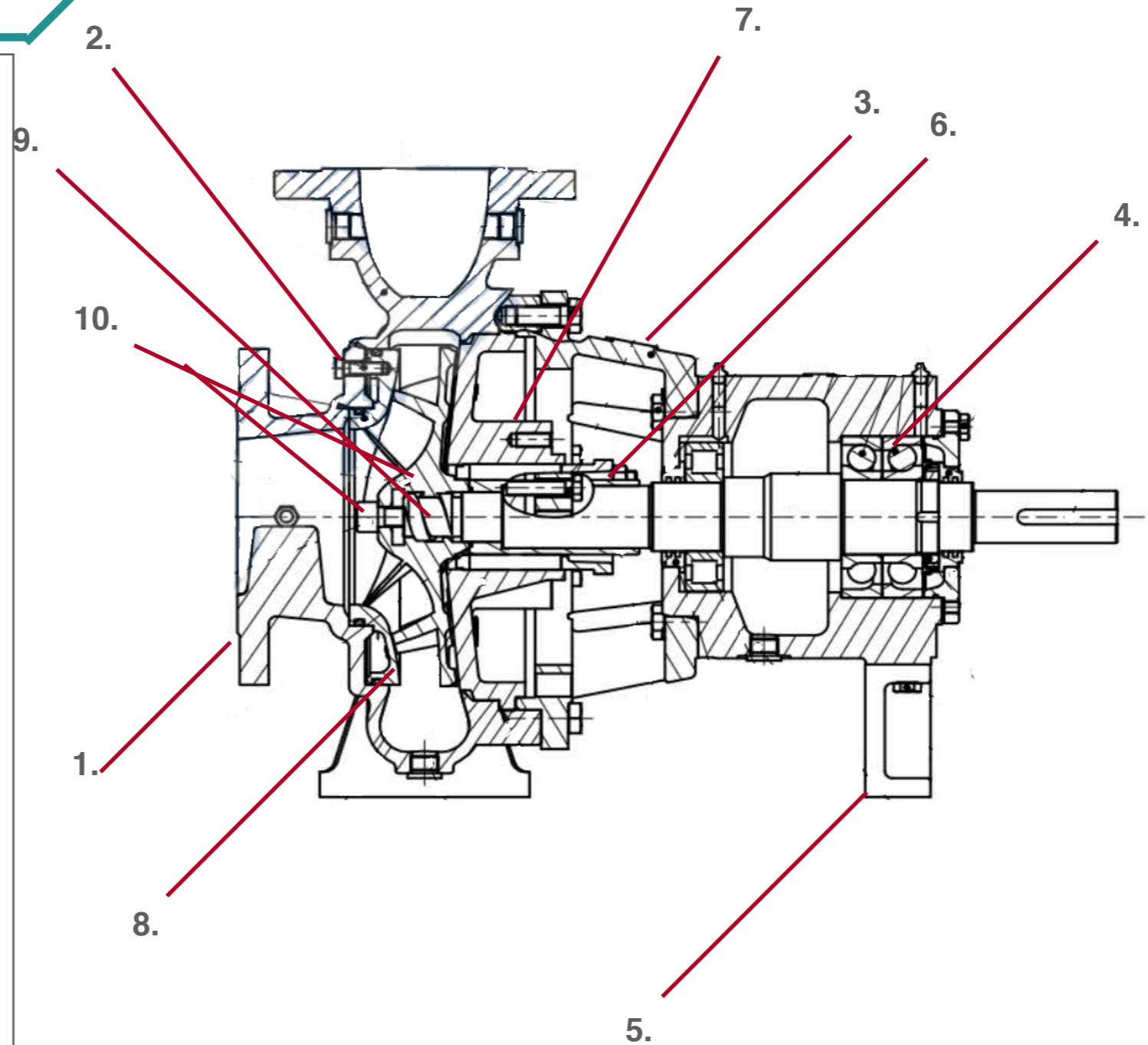
### About.

P- Serie is designed for handle almost all demands. With a robust bearing assembly the pump can meet heavy duty work in paper mills.



**Design: P-Serie**

1. Pump Casing.
2. Wear disc adjusting screw.
3. Steady lantern.
4. Steady bearing assembly for heavy duty work.
5. Steady support foot.
6. Shaft seal.
7. Casing cover.
8. Wear disc
9. Shaft with treaded end on the impeller side.
10. Impeller & Impeller screw.



## Impellers.

1. Closed Impeller.
2. Semi open impeller standard.
3. Semi open impeller 3 vane.
4. Low pulse impeller.





### Seal solutions:

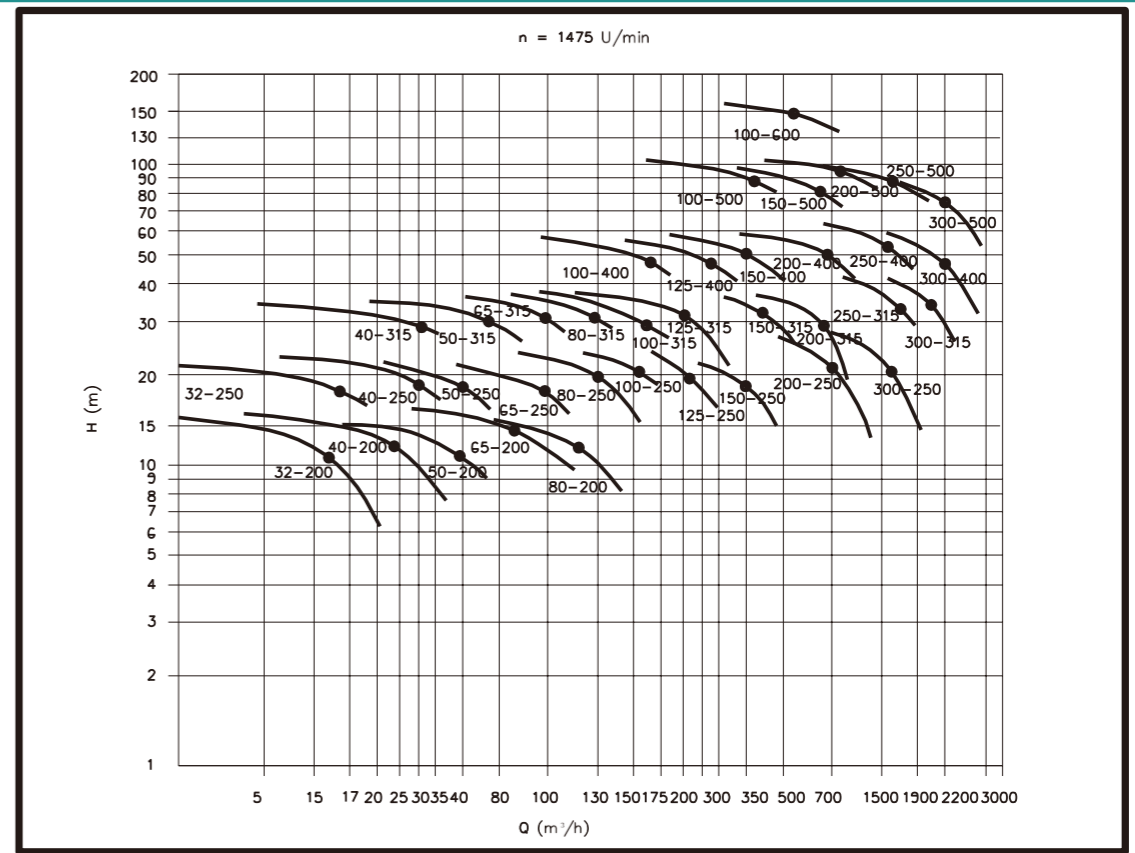
1. External fixed mechanical seal.
2. Metal below seal.
3. Cart ridge seal.
4. Gland packing seal.



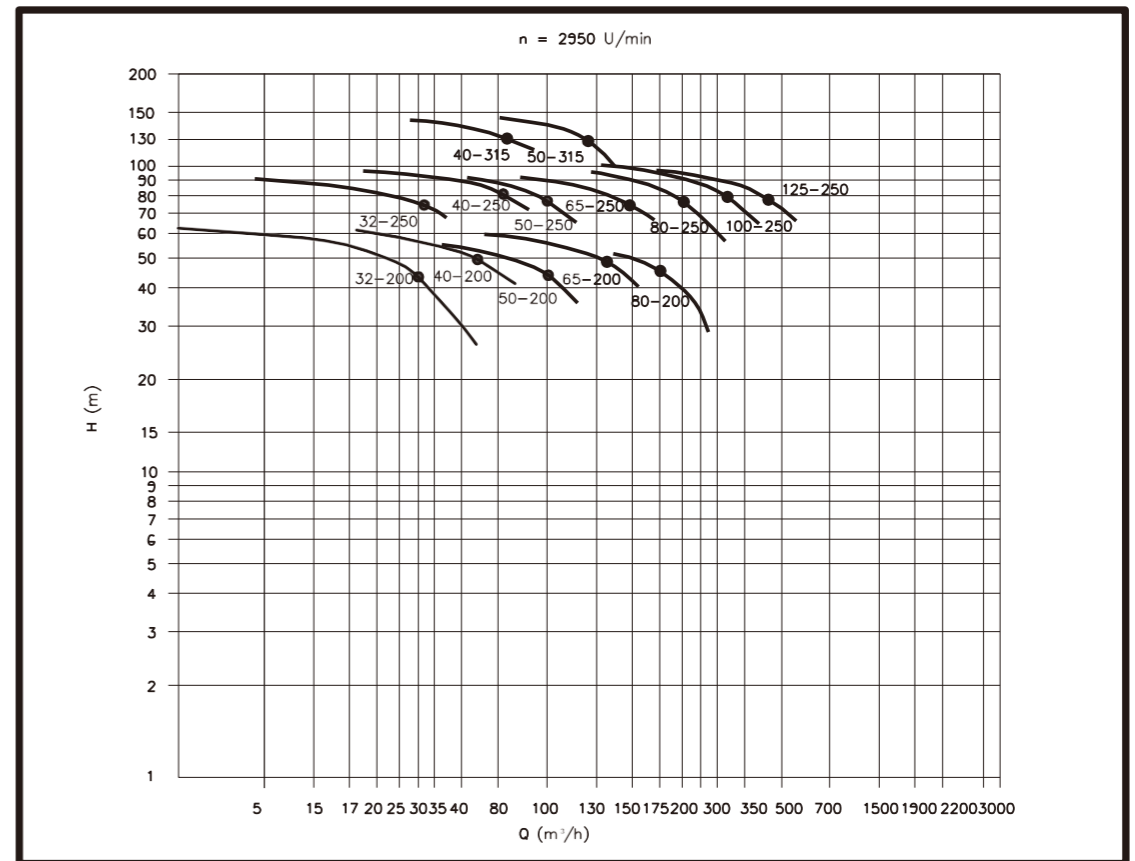


Material:

	Cast Iron SIS0120	Duplex SIS2324	Super Duplex	E4
Pump casing	✓	✓	✓	✓
Wear disc	✓	✓	✓	✓
Casing cover	✓	✓	✓	✓
Impeller		✓	✓	✓
Shaft		✓		
Shaft sleeve		✓		
Lantern	✓	✓		
Bearing assembly	✓			



Performance P-Serie.



**Application:**

- Oil&Gas
- Hydrocarbon Processing Industry. Power Generation
- Pulp and Paper General Industry
- Chemical Processing Industry Water

**Specifications:**

Speed: 1500rpm – 2900rpm/1750rpm--3500rpm

Capacity: 2800m<sup>3</sup>/h (max)

Head: 150m