

TSFE



About.

Total reliability

Rigid design

Safe design

Improved runnability Forgiving
design for operating variations

ensures maximum MTBF!



Construction:

Pump casing

Sturdy construction with generous wall thickness combined with a smooth contour design gives good protection against erosion and corrosion. The larger pumps have a double volute casing reducing radial forces and shaft deflection.

Wear disc

- Simple and rigid adjustment ensures shorter MTTR.

Optimized impeller design

- Sturdy vanes gives wear resistance and low sensitivity for corrosion ensuring long lifetime.
- Optimized pressure behind the impeller, which gives better lubrication of the seal and conditions ensuring long lifetime.
- Sturdy design gives low sensitivity for foreign objects.

Lantern

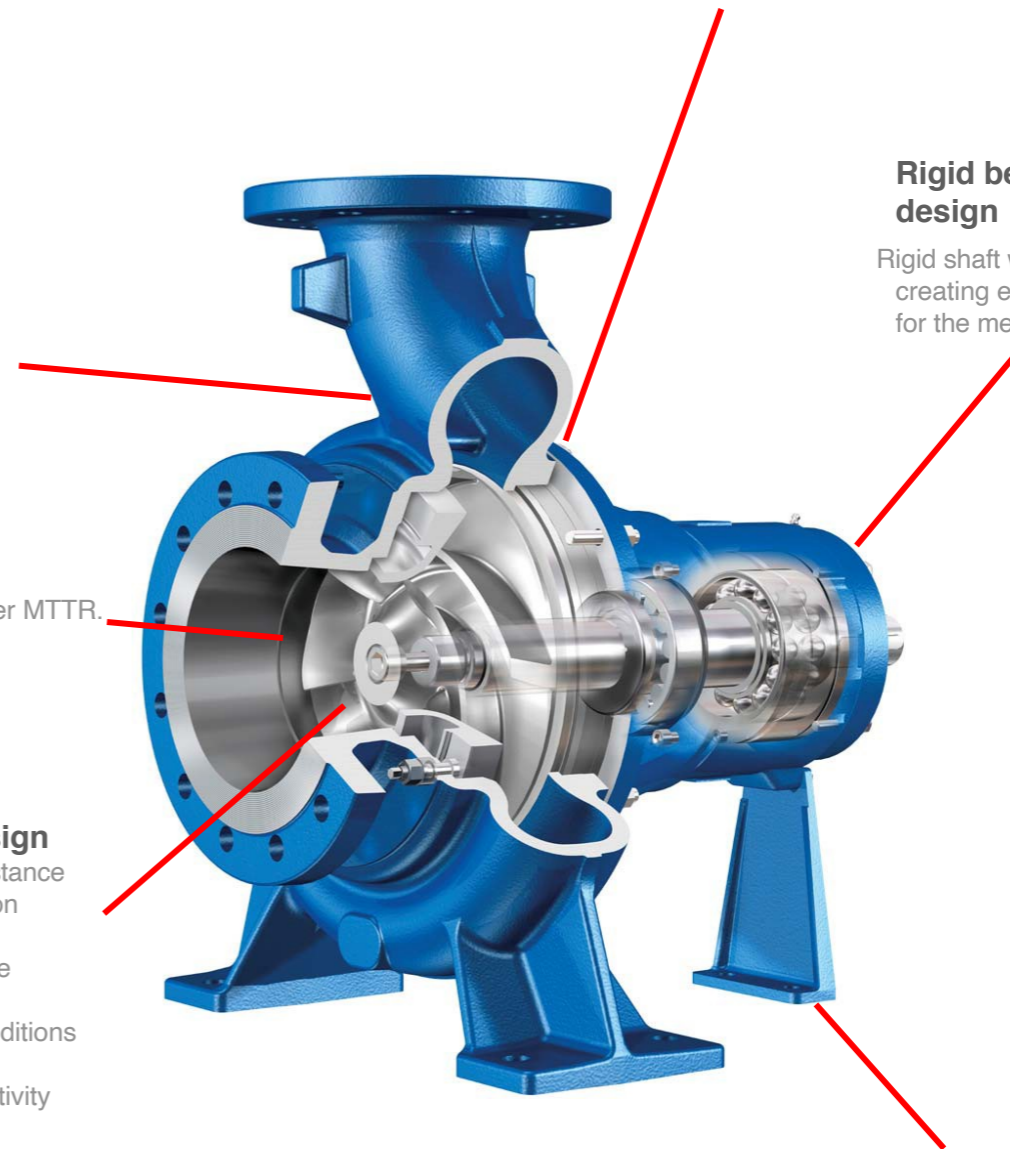
The heavy duty lantern with easy maintenance access connects the pump casing to the bearing assembly.

Rigid bearing assembly design

Rigid shaft with minimized deflection creating excellent working conditions for the mechanical seal.

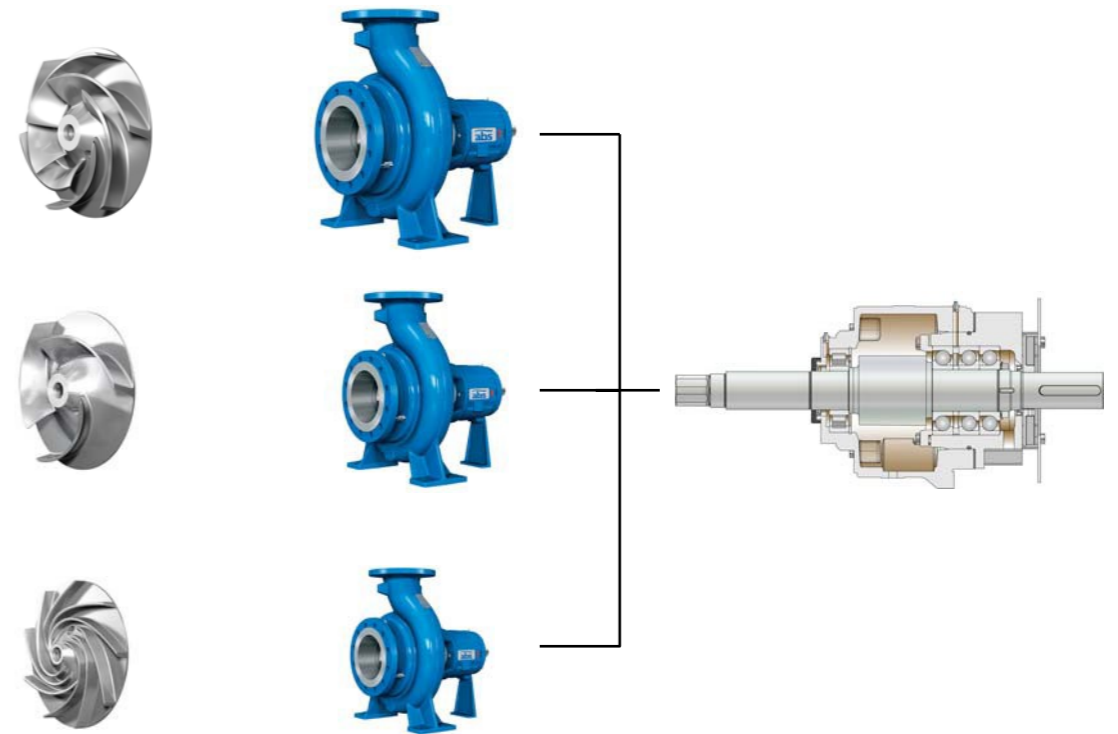
Support foot

A strong foot supports the bearing assembly



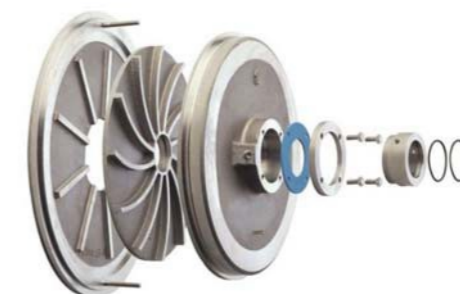
Modular System

- Minimized spare parts stock for the end-user
- Simplified service (bearing assemblies and seal cartridges can be rapidly exchanged with pre-assembled units from stock)
- Better availability of spare parts
- Easier to train service people
- Lower maintenance costs
- High interchangeability



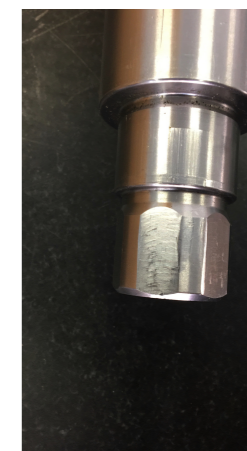
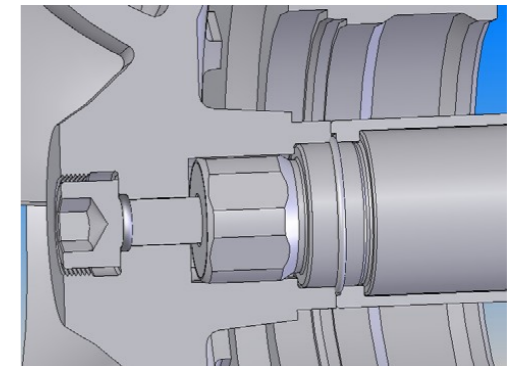
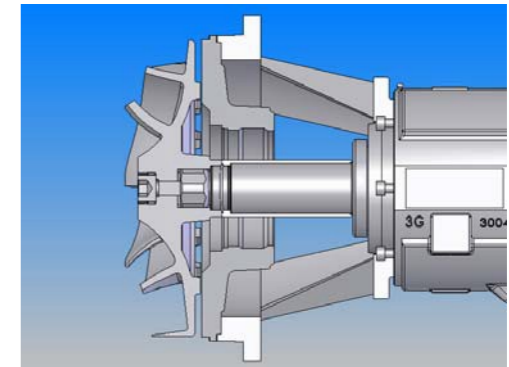
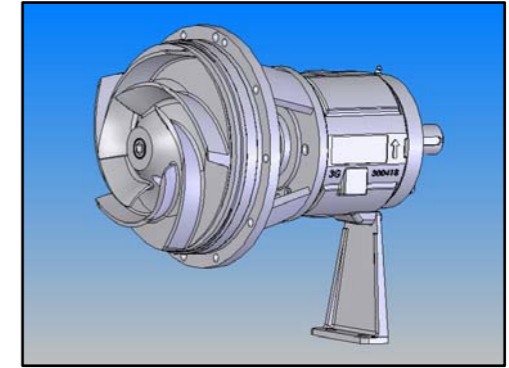
Seal solutions:

- Gland packing
- Single mechanical seal - PSI (DIN)
- MasterSeal (Dynamic seal)
- Internally mounted cartridge (TSF) seals (SE1, SE2)
- Externally mounted cartridge seals



Hexagon drive

- More reliable fastening than key
- Smoother power transmission
- Better sealing of the shaft (o-ring)
- Easier maintenance gives...
- Security and reliability for the user!



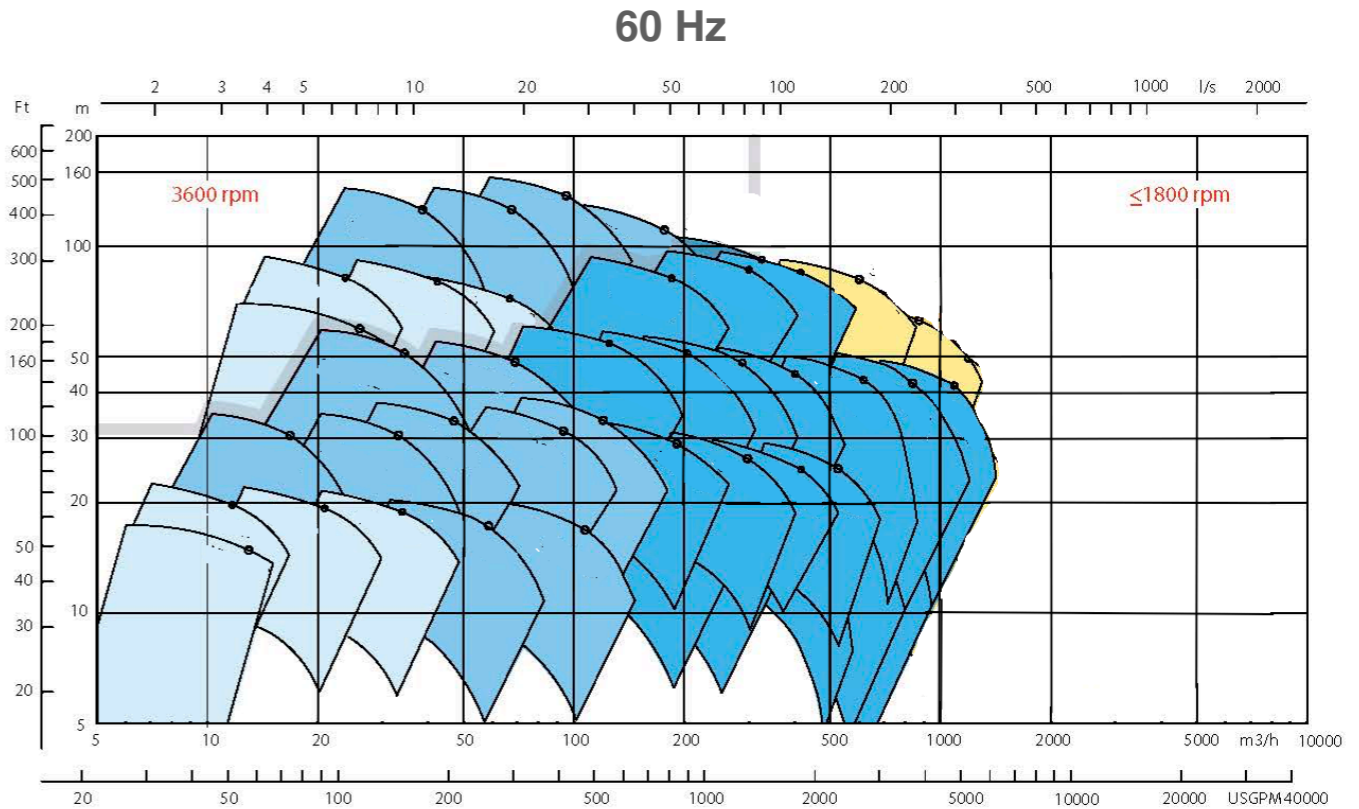
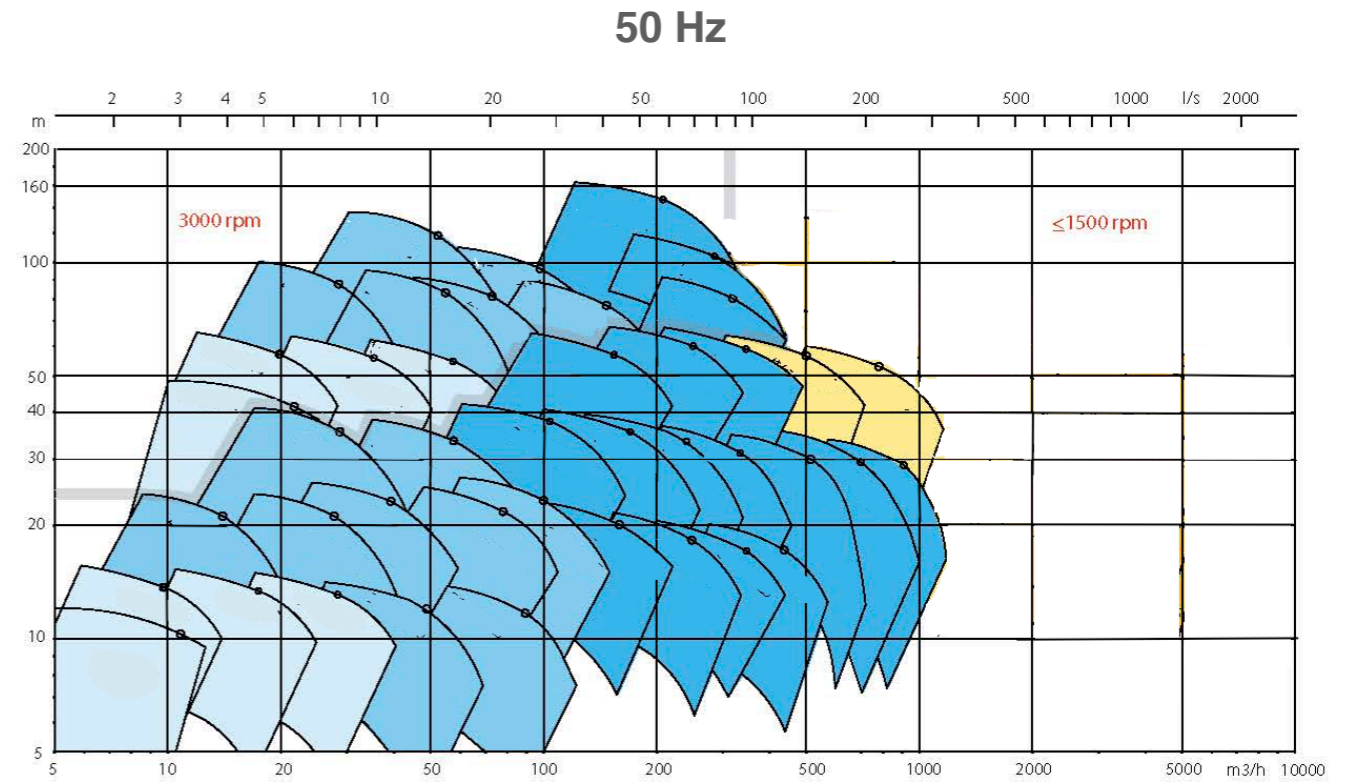


Material:

	Cast Iron SIS0120	Duplex SIS2324	Super Duplex	KTNR-E
Casing	✓	✓	✓	✓
Casing cover	✓	✓	✓	✓
Impeller		✓	✓	✓
Shaft		✓		
Shaft sleeve		✓		
Lantern	✓	✓		
Bearing assembly	✓			



Performance:





Total reliability is ensured by

- Robust design
- Secure impeller fastening
- Sturdy bearing assembly
- Optimum sealing of shaft/wear disc
- Dense QH-coverage
- Various impeller types
- System PSI - Pump Seal Integration
- System PMI - Pump Mill Integration
- Technical standards